

8" WOOFER

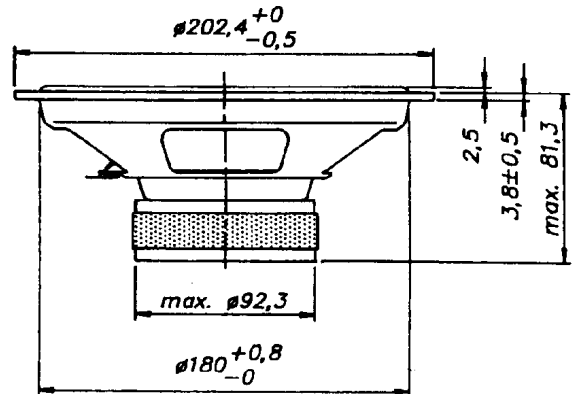
C20WJ-19-08

SPECIAL FEATURES:

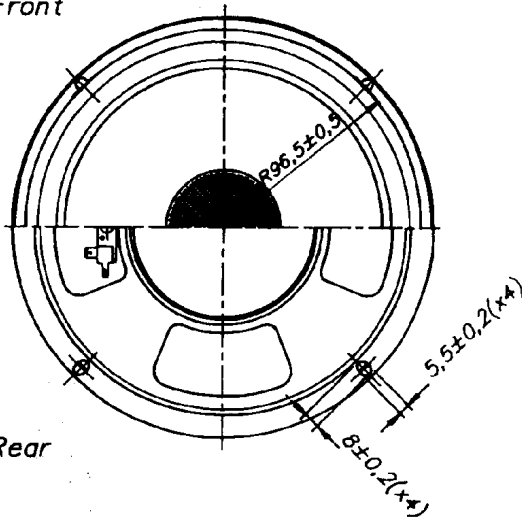
- SMOOTH FREQUENCY RESPONSE
- SUITED FOR 2- AND 3-WAY SYSTEMS
- BLACK COATED PAPER CONE
- OPTIMIZED LARGE SIGNAL

CHARACTERISTICS

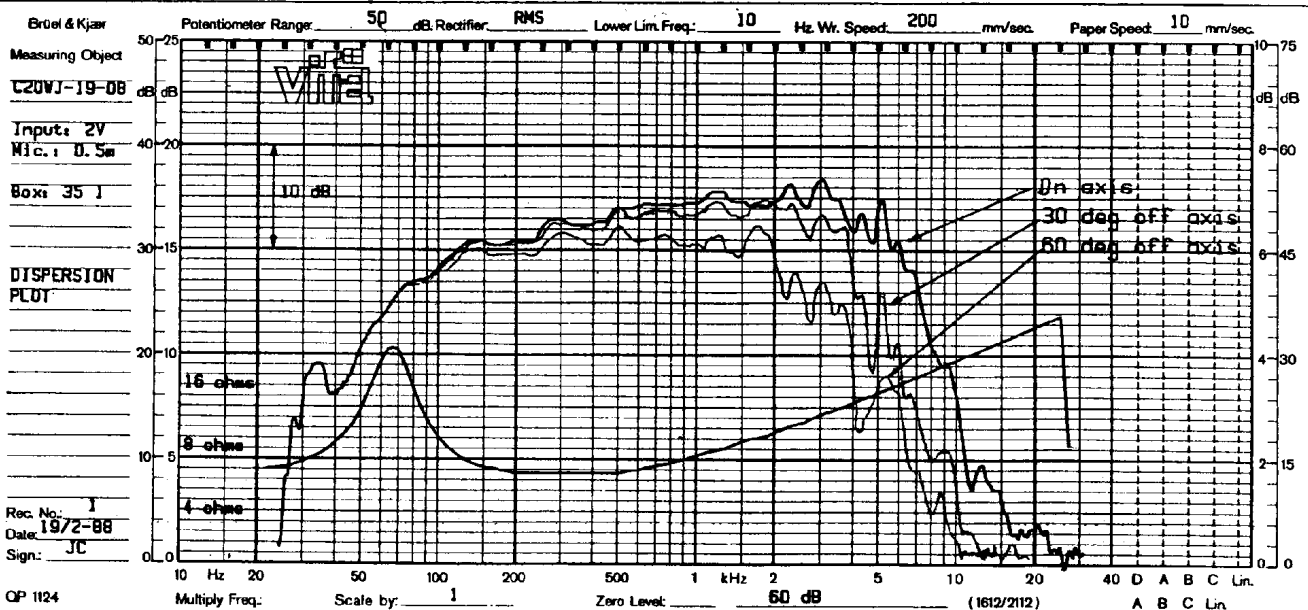
NOMINAL IMPEDANCE	8 Ω
NOMINAL POWER (IEC 268-5)	70 W
MUSIC POWER (DIN 45.500)	110 W
FREQUENCY RANGE	36-5000 Hz
SENSITIVITY (1W, 1m)	91 dB
EFFECTIVE CONE AREA	231 cm ²
VOICE COIL RESISTANCE	5,8 Ω
VOICE COIL INDUCTANCE	0,9 mH
OPERATING POWER	3,2 W
VOICE COIL DIAMETER	32 mm
VOICE COIL HEIGHT	14 mm
AIR GAP HEIGHT	6 mm
FREE AIR RESONANCE	36 Hz
MOVING MASS (incl. air)	17 g
FORCE FACTOR, B x l	6,4 Txm
MAGNET WEIGHT	(14,6 oz) 415 g
Qms	2,7
Qes	0,54
Qts	0,45
Vas	87 ltr



Front



Rear



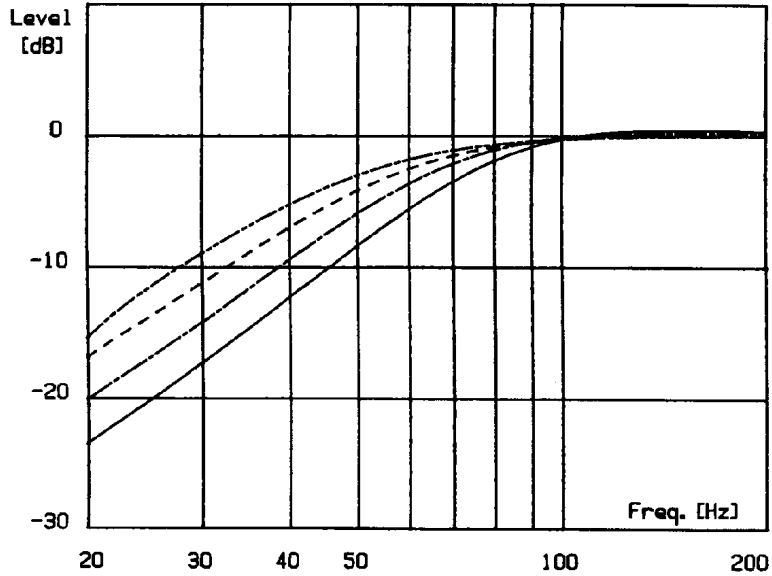
C20WJ-19-08

Applications

BASS REFLEX SYNTHESIS

	Vb [ltrs]	Fb [Hz]	Dp [cm]	Lp [cm]
1	20	25	3.5	14.3
2	30	25	3.5	8.9
3	45	25	5.0	11.9
4	60	27	5.0	6.7

Vb: Box Volume
 Fb: Tuning Frequency
 Dp: Port Diameter
 Lp: Port Length



The C20WJ-19-08 is intended for bass reflex enclosures of 20-60 ltrs. or a closed box of 12-25 ltrs.
 A response having a moderate peak is obtainable in the same volume by choosing a higher tuning frequency Fb while a lower Fb gives a damped response.

