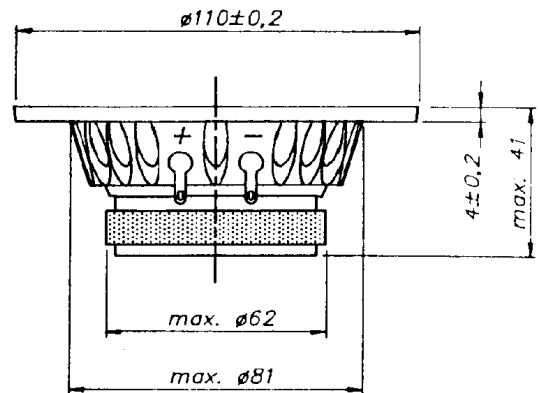


# 4 1/2" MIDRANGE

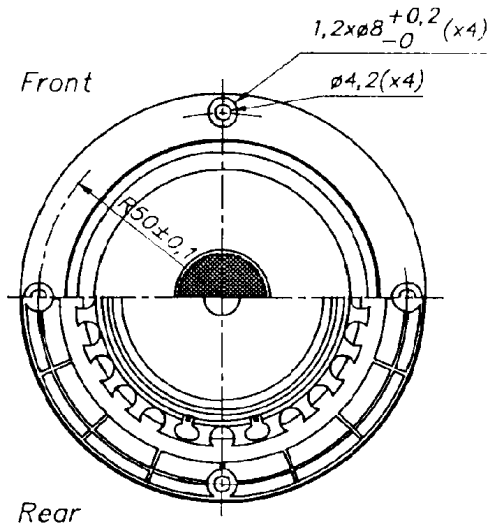
# K10MD-19-08

SPECIAL FEATURES:

- LOW DISTORSION
- PLASTIC BASKET
- EXTENDED FREQUENCY RESPONSE
- COATED PAPER CONE



NOMINAL IMPEDANCE	8 Ω
NOMINAL POWER (IEC 268-5)	60 W
FREQUENCY RANGE	0,5-9 kHz
SENSITIVITY (1W, 1m)	89 dB
EFFECTIVE DIAPHRAGM AREA	43 cm <sup>2</sup>
VOICE COIL RESISTANCE	5,4 Ω
OPERATING POWER	5 W
VOICE COIL DIAMETER	20 mm
VOICE COIL HEIGHT	5,3 mm
AIR GAP HEIGHT	4 mm
FREE AIR RESONANCE	180 Hz
MOVING MASS (incl. air)	2,5 g
FORCE FACTOR, B x l	3,7 Txm
MAGNET WEIGHT (3,7 oz)	105 g

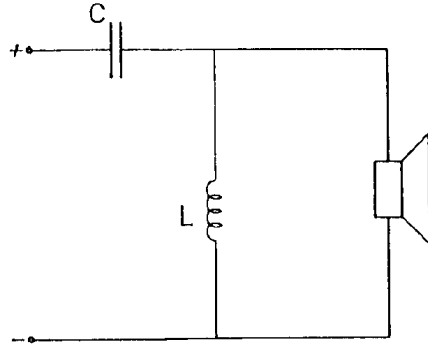


# K10MD-19-08

# Applications

Recommended x-over:

Nom. power [W]	Fc [Hz]	L [mH]	C [ $\mu$ F]
60 *	700	2,2	24



\* Measured in 0,5 litre box

It is recommended to use 2'nd order (12 dB/oct) x-over for K10MD-19-08.

A chamber or box volume of 0,5-1,5 litres is necessary (1 litre recommended). The internal damping should be high ie. the volume should be stuffed with glass wool or similar.

